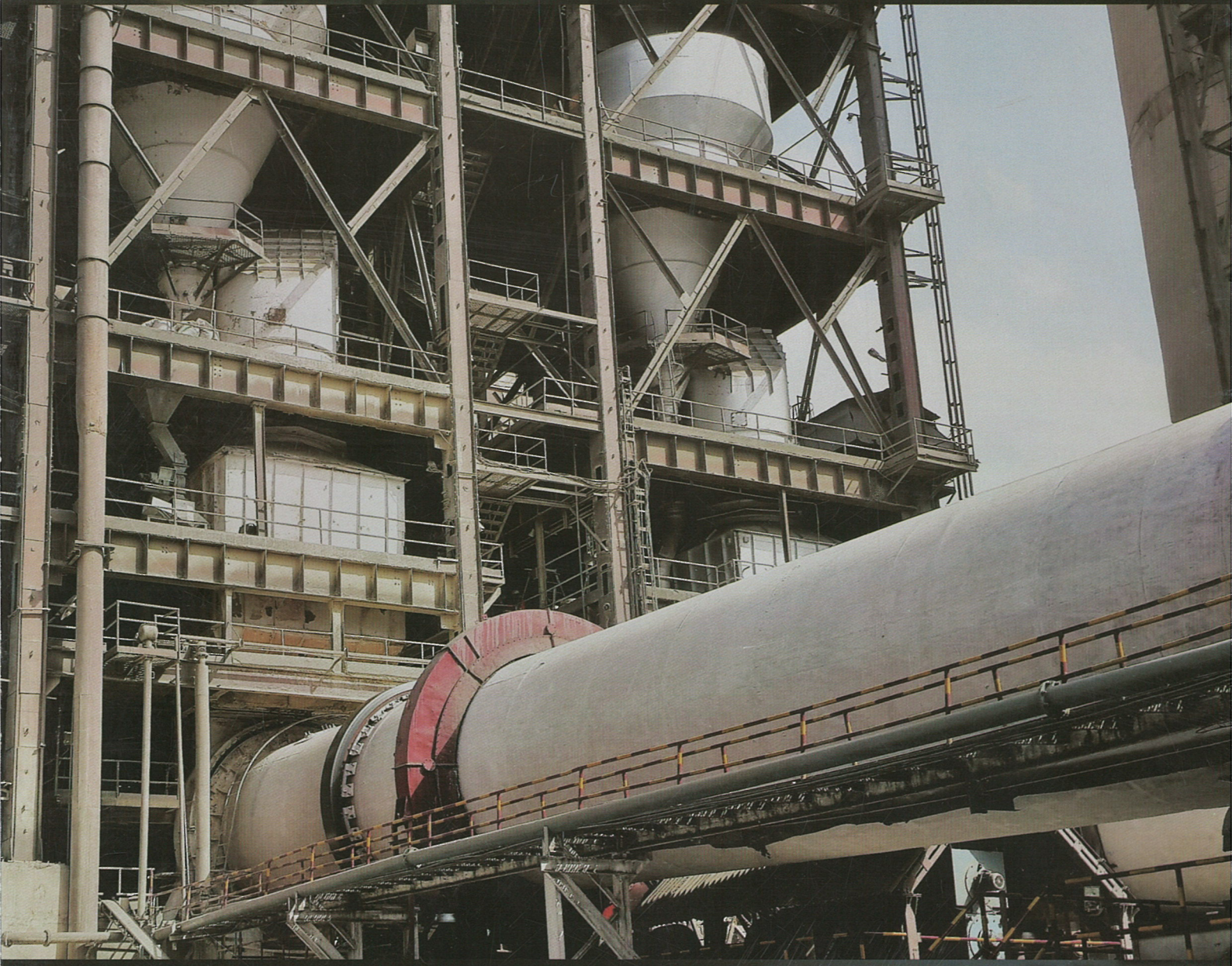




murugappa

CUMI

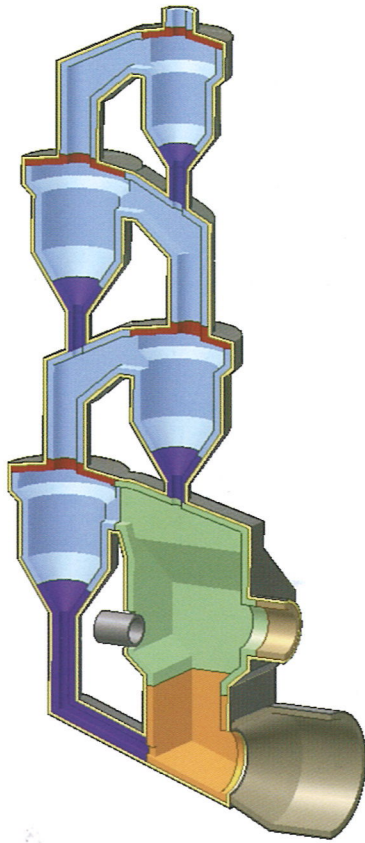
**REFRACTORY FOR
CEMENT INDUSTRY**



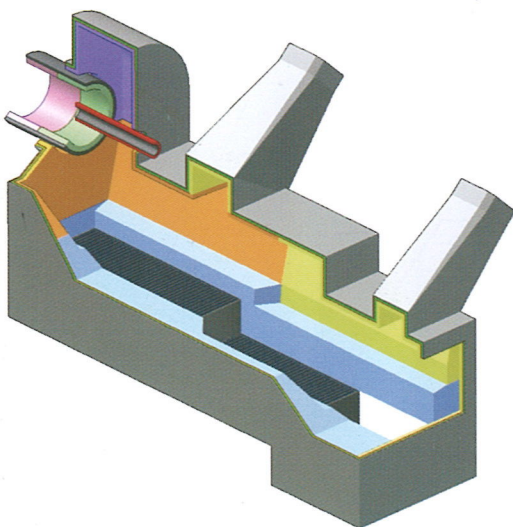
CARBORUNDUM UNIVERSAL LIMITED

SUPER REFRACTORIES

Cement Plant Material & Application Guideline



Cyclone Walls	<u>Conventional / Low Cement Castables</u> Cumicrete M70, M45 Spl Cumi Hicast Super Cumi Instashot 50
Cyclone Roofs	<u>Low Cement Castable</u> Cumi Hicast Super, 60 Cumi Instashot 50
Cone Sections & Feed Pipes	<u>Low Cement Castables</u> Cumi Hicast 30 SiC , 60, HCSuper Cumi Instashot SiC (10,15)
Calciner	<u>Low Cement Castables</u> Cumi Hicast 30 SiC, 60 Cumi Instashot 60A, 10SiC
Riser	<u>Low Cement Castables</u> Cumi Hicast 30 SiC, HCSuper, 40 WR Cumi Instashot 60A, 10SiC,
Back-Up Linings	<u>Conventional Castables (Insulating)</u> Cumicrete CII 104
Tertiary Air Duct	<u>Low Cement Castables</u> Cumi Hicast 90 AR, 70AR, 50AR, 45 SiC Cumi Instashot 10SiC, 60A



Kiln Hood Nose Ring	<u>Low Cement Castable</u> Cumi Hicast 90, 70LI, 75R Cumi Instashot 60A, 10SiC Cumi Hicast 30 SiC, 90,60A, 75R
Cooler Entry Sidewalls	<u>Low Cement Castable</u> Cumi Hicast 90, 80, Extra, 60 Cumi Instashot 60A, 10SiC
Cooler Roof	<u>Low Cement Castable</u> Cumi Hicast 90 Cumi Hicast 60A Cumi Hicast 30 SiC Cumi instashot 60A, 10SiC, 50 WR
Backing Lining	<u>Conventional Castable</u> Cumicrete CII 104
Grate Level Walls	<u>Low Cement Castable</u> Cumi Hicast 30 SiC, 90 Cumi Instashot 60A, 10SiC
Firing Pipe	<u>Cumi Hicast 30 SiC, 75R</u> Cumi Hicast 50A Special, 50 WR
Cool End Sidewalls TA Duct & Offtakes	<u>Low Cement Castable</u> Cumi Hicast 90 AR, 50AR, Super Cumi Instashot 60A, 10SiC

Refractory Products for Cement Industry



Wide range of Superior Monolithic for Cement Kiln

- ◆ Low Cement Castables.
- ◆ Conventional Castables.
- ◆ Shotcrete Products & Application
- ◆ Gunning mass.
- ◆ Pre fabricated shapes for Kiln inlet, Cooler bull nose and roof.
- ◆ SiCdoped alumina bricks for Kiln.
- ◆ TA Duct Damper.
- ◆ PCPF Burner Pipe.
- ◆ PCPF Tip Block



High performance Monolithic for Burner Pipe



TA Duct Damper



Shotcrete Pump



Shotcrete Application



Founded in 1900, the INR 369 Billion (36,893 Crores) Murugappa Group is one of India's leading business conglomerates. The Group has 28 businesses including nine listed Companies traded in NSE & BSE. Headquartered in Chennai, the major Companies of the Group include Carborundum Universal Limited (CUMI), Cholamandalam Financial Holdings Ltd., Cholamandalam Investment and Finance Company Ltd., Cholamandalam MS General Insurance Company Ltd., Coromandel International Ltd., Coromandel Engineering Company Ltd., E.I.D. Parry (India) Ltd., Parry Agro Industries Ltd., Shanthi Gears Ltd., Tube Investments of India Ltd., and Wendt (India) Ltd.

Market leaders in served segments including Abrasives, Auto Components, Transmission systems, Cycles, Sugar,

Farm Inputs, Fertilisers, Plantations, Bioproducts and Nutraceuticals, the Group has forged strong alliances with leading international companies such as Groupe Chimique-Tunisien, Foskor, Mitsui Sumitomo, Morgan Advanced Materials, Sociedad Quimica y Minera de Chile (SQM), Yanmar & Co. and Compagnie Des Phosphat De Gafsa (CPG). The Group has a wide geographical presence all over India and spanning 6 continents.

Renowned brands like BSA, Hercules, Montra, Mach City, Ballmaster, Ajax, Parry's, Chola, Gromor, Shanthi Gears and Paramfos are from the Murugappa stable. The Group fosters an environment of professionalism and has a workforce of over 50,000 employees



CUMI was founded in 1954 as a tripartite collaboration between the Murugappa Group, The Carborundum Co., USA and the Universal Grinding Wheel Co. Ltd., U.K. The company pioneered the manufacture of Coated Abrasives and Bonded Abrasives in India in addition to the manufacture of Super Refractories, Electro Minerals, Industrial Ceramics and Ceramic Fibres. Today the company's range of over 20,000 different varieties of abrasives, refractory

products and electro-minerals are manufactured in ten locations across various parts of the country. With state-of-the art facilities and strategic alliances with global partners, CUMI has achieved a reputation for quality and innovation. CUMI is one of the five manufacturers in the world with fully integrated operations that include mining, fusing, wind and hydro power stations, manufacturing, marketing and distribution.

CUMI Super Refractories

A market leader in the manufacture of specialty refractory products in India since 1965 with technical know-how from Carborundum USA. The division specializes in the manufacture of both fired and monolithics range of refractories catering to the critical and demanding high temperature applications for various industrial applications. Primary product lines in the Fired range include Silicon Carbide, Nitride Bonded Silicon Carbide, Mullite, and Zircon- Mullite, High Alumina, and Insulating fire bricks. The primary product lines in the monolithics range include the Conventional Castables, Low Cement Castables, Insulation Castables, Self-flow Castables, Gunning Materials, Ramming Masses and Laying Mortars.

Super Refractories is dedicated to providing our customers with the highest-quality, most highly effective products, systems and services. The products manufactured conform to the ISO 9001 Quality standards and procedures, ensuring customer satisfaction. In addition to being a leading supplier of specialty refractory in the Indian market, we serve customers in the Middle East, Asia, Europe, North America, Australia, ASEAN and SAARC countries.



CUMI's Worldwide Network at Your Service

Plants

Carborundum Universal Limited

Plot Nos. 102 & 103, SIPCOT Industrial Complex, Phase II, Ranipet - 632403
Phone: +91 4172 244197 / 306700
Fax: +91 4172 244982

Carborundum Universal Limited

Mungileri Village, Vinnampalli Post, Katpadi Taluk Seerkadu, Vellore District - 632516
Phone: +91 4172 306800, Fax: +91 4172 306830

Carborundum Universal Limited

Plot No. 35, 37, 48-51, Adhartal Industrial Estate, PO Jabalpur - 482004, Madhya Pradesh
Phone: +91 761 3265001 / 2 / 3 / 4 / 5
Fax: +91 761 2680678

JSC Volzhsky Abrasive Works

Volzhsky, Volgograd Region, Road 6, 18
Russia - 404130, Email: export@vabz.ru

Marketing Offices - India

Bangalore

N-706, Manipal Centre, 47 Dickenson Road, Bengaluru - 560 042.
Contact : Mr. Sandip Chongdar
Email: chongdars@cumi.murugappa.com
Phone : +91 7824057564, Mobile: +91 94490 22596 (Direct)

Chennai

Dare House Extension, 1st Floor, 234, NSC Bose Road
Chennai 600 001. Ph: +91 44 30006075 / 6061
Contact: Mr. N. Thiagarajan
Email: thiagarajann@cumi.murugappa.com
Phone: +91 44 30006063, Mobile: +91 98404 30332

Kolkata

Shrachi Towers, 1st Floor, Unit - IA
686- Anandapur, Kasba, Kolkata-700107
Phone : +91 33 3024 9674, +91 33 3023 8069
Contact : Mr. Siddhartha Ray Chaudhuri
Email: chaudhurisr@cumi.murugappa.com
Mobile: +91 90073 92718

Mumbai

P.B. No. 962, United India Bldg. III Floor,
Sir Pherozshah Mehta Road, Mumbai - 400001
Phone: +91-8767160582
Contact : Mr. Subhasis Gangopadhyay
Email: gangopadhyays@cumi.murugappa.com
Mobile: +91 98671 86048

New Delhi

Refractory Division: 11/5B, Pusa Road, 2nd Floor, Param Tower
Opposite Telephone Exchange, New Delhi - 110005
Contact : Mr. Nimit Chaudhary
Email: chaudharyn@cumi.murugappa.com
Phone: +91 11 3090 1919, Mobile: +91 90151 48803

Exports

Contact : Mr. Subhasis Gangopadhyay
Email: gangopadhyays@cumi.murugappa.com
Mobile: +91 98671 86048
(Asia, other than Bangladesh)

Contact : Mr. Siddhartha Ray Chaudhuri
Email: chaudhurisr@cumi.murugappa.com
Mobile: +91 90073 92718
(Bangladesh)

Contact : Mr. V.T. Eswaran
Email: thandeswaranv@cumi.murugappa.com
Mobile: +91 99441 62444
(Rest of the World)

Subsidiaries

Australia

CUMI (Australia) Pty Ltd,
29 Gipps Street PO Box 142, Carrington, NSW 2294, Australia
Phone : + 61 02 4940 0035, Fax : + 61 02 4940 0037
Contact : Mr. Sushil Kumar, E-mail : usk@cumi.com.au

Russia

Volzhsky Abrasive Works, Building No.18,
Highway 6, Volzhsky, Volgograd Region, Russia 404 130
Email: Bezushenko.AV@vabz.ru

Thailand

Wendt Grinding Technologies Ltd.
109/21, Moo4, Tambol, Pluakdaeng,
AmpurPluakdaeng, Rayang - 21140, Thailand
Phone : 66 (0)38-955490 (Dir), 955491-2,
Fax : 66 (0)38-955493, Contact : Mr. Praveen Jaduvanshi
E-mail:praveen@wendt-thai.com

USA

CUMI America Inc.
1119 Aviation Blvd, Hebron, KY 41048, US
Phone: +1 844 286 4872, +1 859 372 6606
Fax: +1 859 372 6607
Contact : Mr. Ronald Smith
E-mail : rsmith@cumiusa.com

West Asia & Africa

CUMI Middle East Fze.
P.O. Box 10559, Rak FreeTrade Zone,
Ras Al Khaimah, UAE
Phone : +971 56 2226190, +91 98746 86688
Contact : Mr. Sumon Roy
E-mail : sumonroy@cumi.murugappa.com

For more information please visit us at
www.cumi-murugappa.com/refractories/

Registered Office:

"Parry House", 6th Floor, 43, Moore Street,
Chennai - 600001, Phone: +91 44 42216789

Social Media Links:

<https://www.facebook.com/cumi.official/>

https://twitter.com/cumi_official

<https://www.linkedin.com/company/carborundum-universal-limited>

June -2019